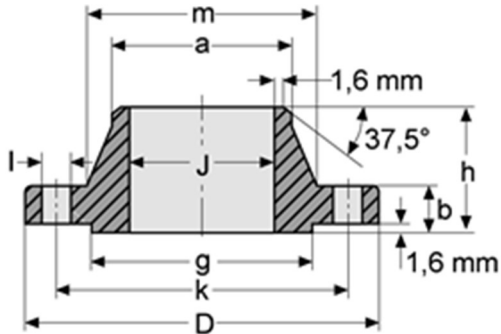


TALA OFFSHORE AS

STAINLESS ASTM/ASME WELDING NECK FLANGES



ASTM A182, ASME B16.5

Raised face, smooth finish (125-250 RMS / 3.2-6.3 μm)

Welding neck flanges LBS 600

Pipe	Flange					Hub		Raised face	Drilling template		Weight	
Nom. size	O.D.	D	J	b	h	a	m	g	l	K	No. Of holes	Kg/pc
In.	mm	mm	mm	mm	mm	mm	mm	mm	mm	mm		
1/2"	21.3	95.3	13.8	14.2	52.3	21.3	38.1	35.1	15.7	66.5	4	0.870
3/4"	26.7	117.3	18.9	15.7	57.2	26.7	47.7	42.9	19.1	82.5	4	1.450
1"	33.4	124	24.3	17.5	62	33.5	53.8	50.8	19.1	88.9	4	1.760
1 1/4"	42.2	133.4	32.7	20.6	66.5	42.2	63.5	63.5	19.1	98.5	4	2.490
1 1/2"	48.3	155.4	38.1	22.4	69.9	48.3	69.5	73.2	19.1	114.3	4	3.490
2"	60.3	165.1	49.2	25.4	73.2	60.4	84.1	91.9	22.4	127	8	4.360
2 1/2"	73	190.5	59	28.4	79.2	73.1	100.1	104.6	22.4	149.4	8	6.430
3"	88.9	209.6	73.6	31.8	82.6	88.9	117.3	127	22.4	168.1	8	8.530
4"	114.3	273.1	97.2	38.1	101.6	114.3	152.4	157.2	25.4	215.9	8	17.40
6"	168.3	355.6	146.4	47.8	117.3	168.4	222.3	215.9	28.4	292.1	12	34.90
8"	219.1	419.1	193.8	55.6	133.35	219.2	273.1	269.6	31.7	349.2	12	53.90

Standard specification for ASTM flanges

Flanges, forged, ASTM A 182, F304/304L or F316/316L (dual marked and certified), ASME B16.5, annealed and fully machined, raised face, smooth finish (125-250 RMS / 3.2-6.3μm) to MSS-SP6, hardness to NACE MR0175 latest edition. IC checked to ASTM A262 E and PMI tested

All ASTM/ASME flanges are certified according to EN 10204/3.1.