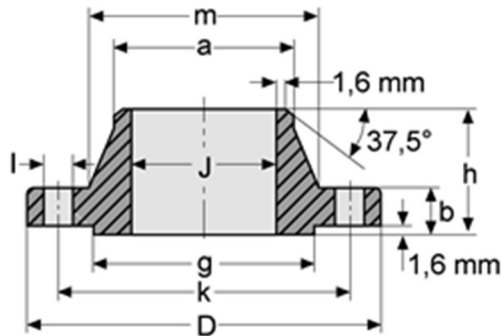


# TALA OFFSHORE AS

## STAINLESS ASTM/ASME WELDING NECK FLANGES



ASTM A182, ASME B16.5

Raised face, smooth finish (125-250 RMS / 3.2-6.3  $\mu\text{m}$ )

### Welding neck flanges LBS 150

Pipe	Flange					Hub		Raised face	Drilling template		Weight	
Nom. size	O.D.	D	J	b	h	a	m	g	l	K	No. Of holes	Kg/pc
In.	mm	mm	mm	mm	mm	mm	mm	mm	mm	mm		
1/2"	21.3	88.9	15.7	11.2	47.8	21.3	30.2	35.1	15.7	60.5	4	0.480
3/4"	26.7	98.6	20.8	12.7	52.3	26.7	38.1	42.9	15.7	69.9	4	0.710
1"	33.4	108	26.7	14.2	55.6	33.5	49.3	50.8	15.7	79.2	4	1.010
1 1/4"	42.2	117.3	35.1	15.7	57.2	42.2	58.7	63.5	15.7	88.9	4	1.330
1 1/2"	48.3	127	40.9	17.5	62	48.3	65	73.2	15.7	98.6	4	1.720
2"	60.3	152.4	52.6	19.1	63.5	60.5	77.7	91.9	19.1	120.7	4	2.580
2 1/2"	73	177.8	62.7	22.4	69.9	73.2	90.4	104.6	19.1	139.7	4	4.110
3"	88.9	190.5	78	23.9	69.9	88.9	108	127	19.1	152.4	4	4.920
4"	114.3	228.6	102.4	23.9	76.2	114.3	134.9	157.2	19.1	190.5	8	6.840
5"	141.3	254	128.3	23.9	88.9	141.2	163.5	185.7	22.4	215.9	8	9.200
6"	168.3	279.4	154.2	25.4	88.9	168.4	192	215.9	22.4	241.3	8	10.60
8"	219.1	342.9	202.7	28.4	101.6	219.2	246.1	269.7	22.4	298.5	8	17.60
10"	273	406.4	254.5	30.2	101.6	273.1	304.8	323.9	25.4	362	12	24.00
12"	323.8	482.6	304.8	31.8	114.3	323.9	365.3	381	25.4	431.8	12	36.50
14"	355.6	533.4	336.5	34.9	127	355.6	400	412.7	28.6	476.2	12	51.00
16"	406.4	596.9	387.3	36.5	127	406.4	457.2	469.9	28.6	539.7	16	60.00
18"	457.2	635.0	438.1	39.6	139.7	457.2	505.0	533.4	31.8	577.9	16	68.30
20"	508.0	698.5	488.9	42.9	144.5	508.0	558.8	584.2	31.8	635.0	20	84.50
24"	609.6	812.8	590.5	47.8	152.4	609.6	663.4	692.2	35.1	749.3	20	115.0

Standard specification for ASTM flanges

Flanges, forged, ASTM A 182, F304/304L or F316/316L (dual marked and certified), ASME B16.5, annealed and fully machined, raised face, smooth finish (125-250 RMS / 3.2-6.3 $\mu\text{m}$ ) to MSS-SP6, hardness to NACE MR0175 latest edition. IC checked to ASTM A262 E and PMI tested

All ASTM/ASME flanges are certified according to EN 10204/3.1.

Mailing address:  
Tala Offshore AS  
Kjelsbergalle 2, 4050 Sola

Visiting address:  
Kongshaugvegen 21  
4050 Sola

Phone: +47 979 84 841  
e-mail: info@talaoffshore.no  
www.talaoffshore.no  
Org no. 917 689 652